

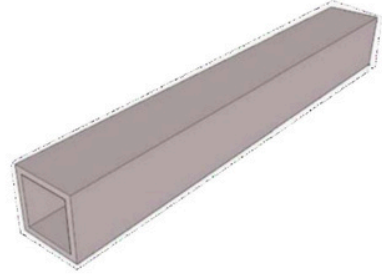
BASIC INSTALLATION GUIDE

WALL PANEL

Wall Panel Components

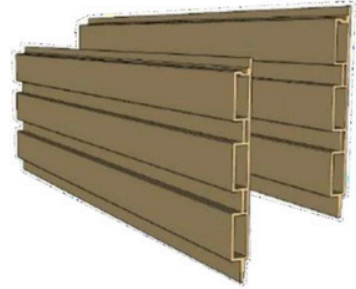
1. RHS Aluminum

20ft length x 1" width x 1" height



2. Eazy Wood Wall Panel

215mm length x 25mm height



Fittings and Tools Recommended

Fittings

Rawlplugs/screws for fixing RHS Aluminium to hard surface

Stainless steel screw no.6, 12mm for fixing Eazy Wood Wall Panel (in the groove)

Stainless steel screws no.6, 25mm for fixing Eazy Wood Wall Panel (on the surface of the 1st and last panels)

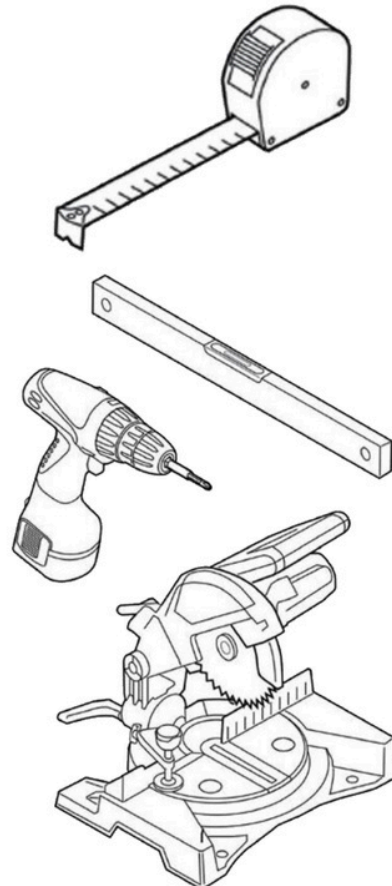
Tools

Tape measure

Spirit level

Power screwdriver

Mitre saw

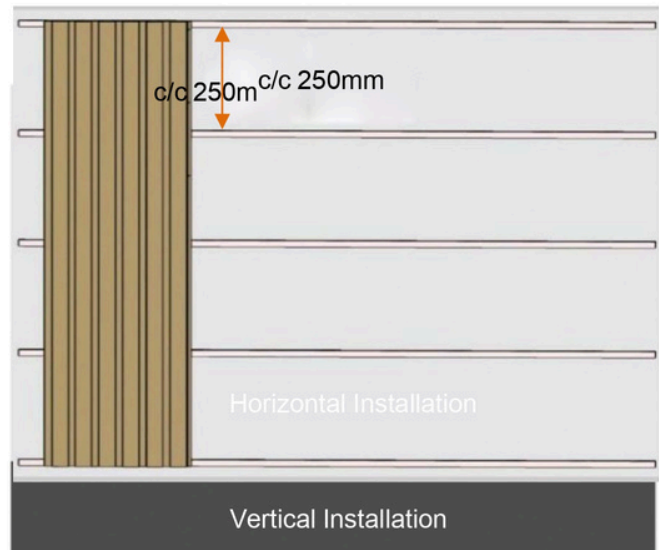


Installation

Assembly

For vertical wall panel, use horizontal support RHS Aluminum work.

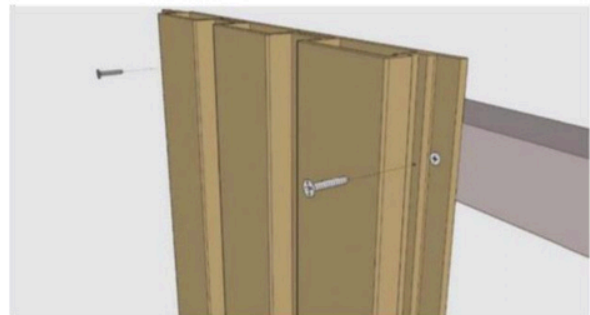
Anchor the RHS Aluminum at 450mm centers with screws and rawlplugs. Allow a minimum 6mm expansion gap between RHS Aluminum and any surrounding walls.



Fixing the First Wall Panel

Fasten the screw at the side of the profile. The screw should be placed close to the rear balk to avoid potential deflection.

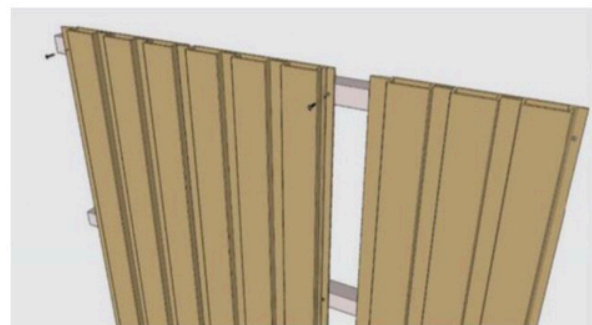
Then, fasten the screw in the groove of the profile.



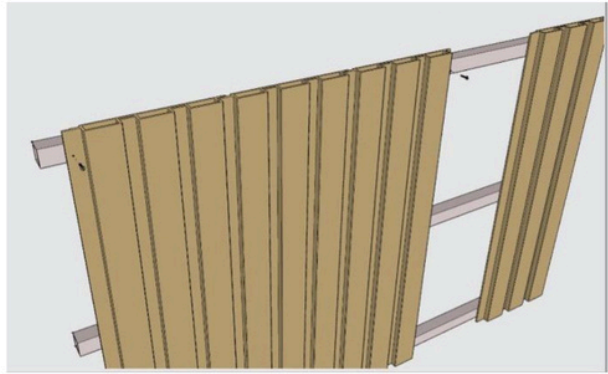
Fixing the Next Wall Panel

Slot the second wall panel on the first panel. Ensure that the second wall panel is fitted securely in place on the RHS Aluminum.

Fasten the screw in the groove of the second wall panel.

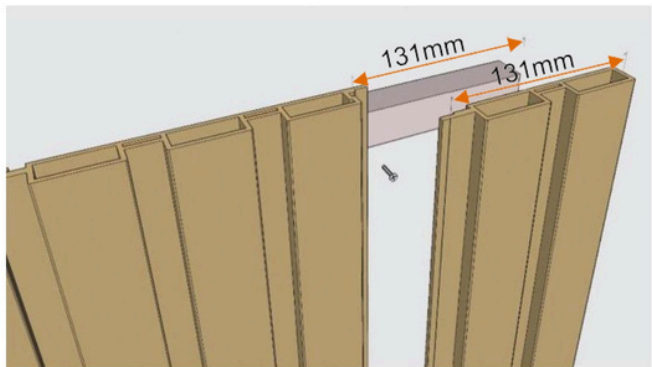


Insert further panels in the previous one and repeat this process until you reach the required width.



Fixing the Closing Wall Panel

If necessary, cut the closing panel until you reach the required width and screw connect at the edge. The screw connection should be fixed close to the rear balk to avoid potential deflection.



Your Installation Is Now Complete

Remarks:

All specifications suggested in this guide are based on use under normal condition only. Kindly counter check with the supplier/manufacturer for use under special conditions.