

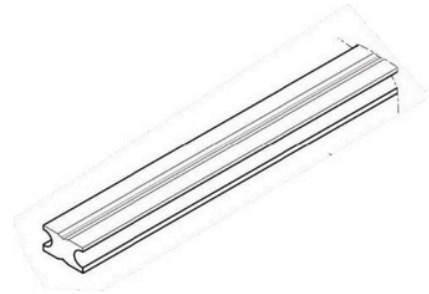
BASIC INSTALLATION GUIDE

WALL CLADDING

Cladding Components

1. Eazy Wood Batten

3050mm length x 40mm width x 25mm height

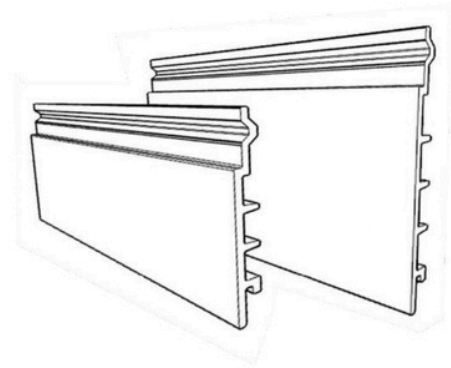


2. Eazy Wood Cladding Panel

Available in two sizes:

3050mm length x 128mm width x 13mm height

3050mm length x 173mm width x 13mm height



Fittings and Tools Recommended

Fittings

Rawlplugs/screws for fixing battens to hard surface

Stainless steel screws no.6, 12mm for fixing Eazy Wood Cladding Panel (in the groove)

Stainless steel screws no.6, 25mm for fixing Eazy Wood Cladding Panel (on the surface of the 1st and last panels)

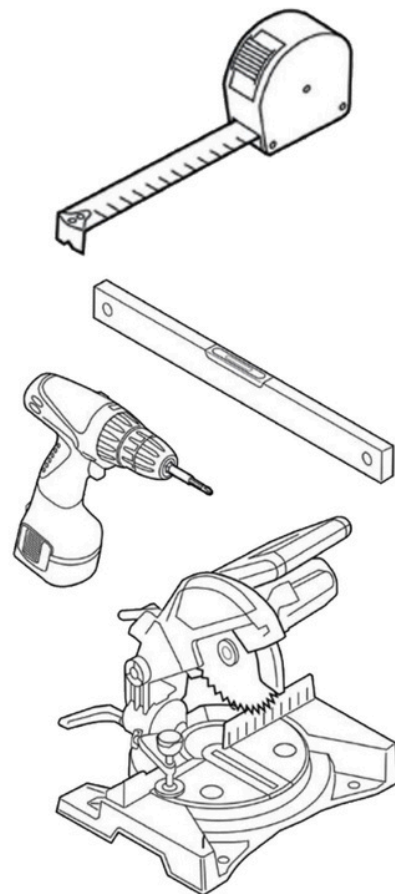
Tools

Tape measure

Spirit level

Power screwdriver

Mitre saw

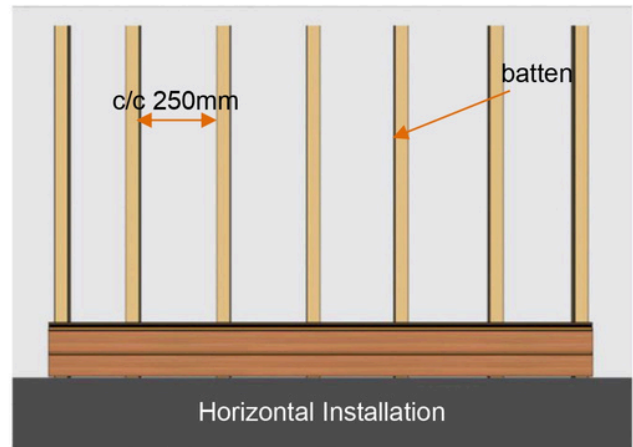


Installation

1. Assembly

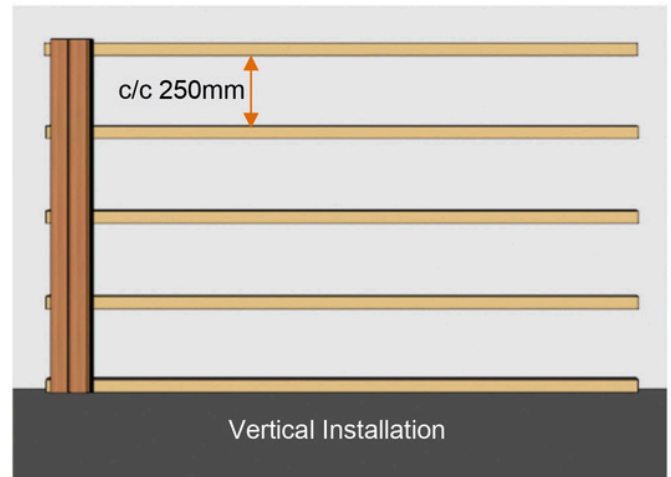
The cladding panel can be installed vertically and horizontally.

For horizontal cladding panel installation, use vertical support battening.



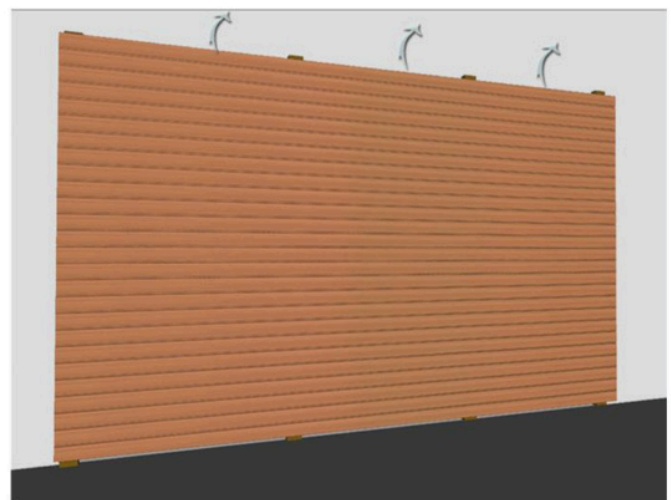
For vertical cladding panel installation, use horizontal support battening.

Anchor the Eazy Wood batten at 250mm centres with screws and rawlplugs. Allow a minimum 6mm expansion gap between batten and surrounding walls.



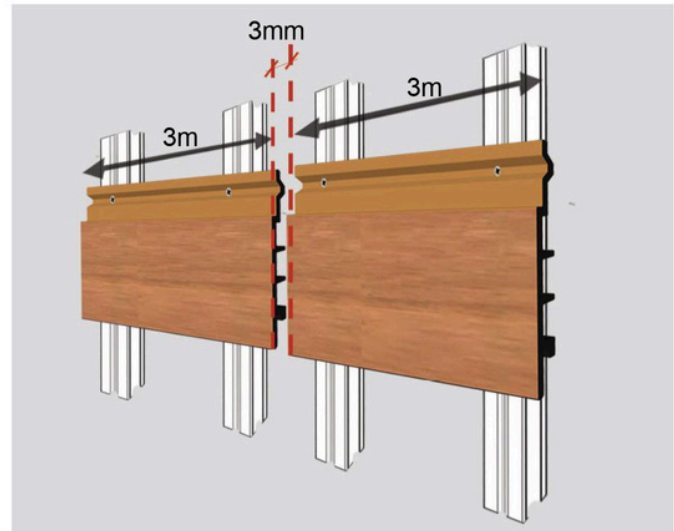
2. Ventilation

The rear ventilation spacing from the wall must not be less than 20mm.

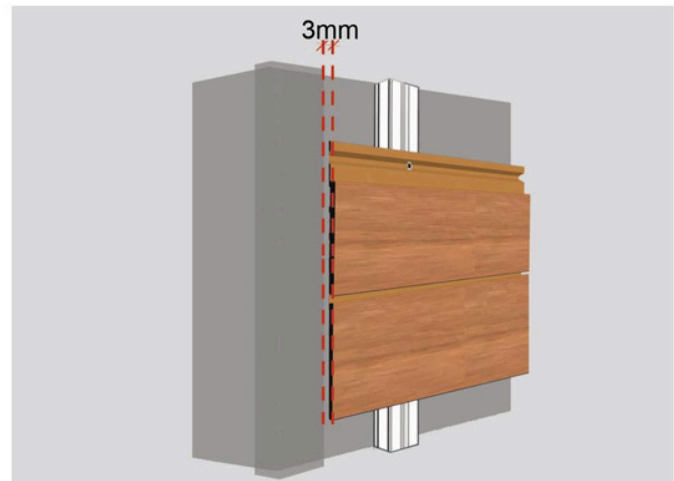


3. Spacing

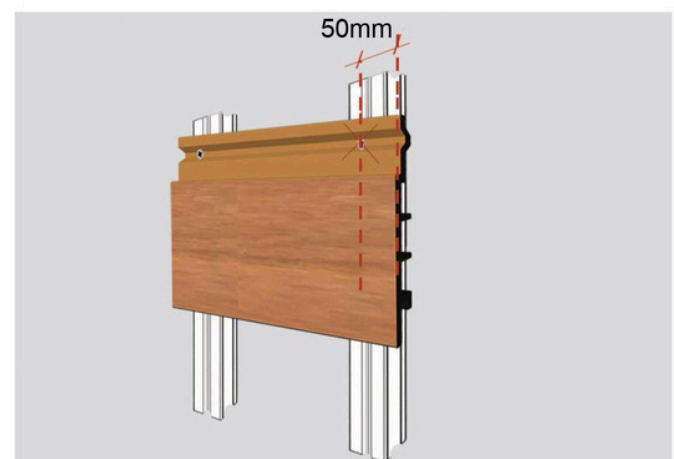
Leave a 3mm gap between end-to-end cladding panel to allow for expansion.



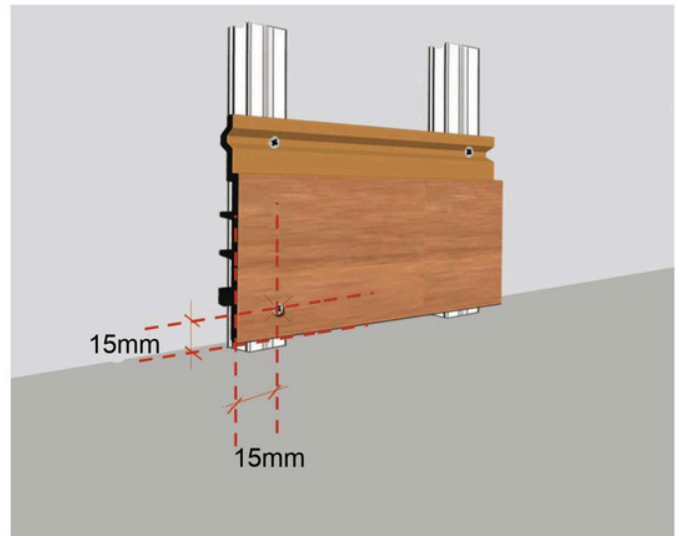
When connected to other surface e.g., concrete wall, an expansion spacing of 3mm is required.



The distance from the screw connection to cladding panel end must not be more than 50mm.



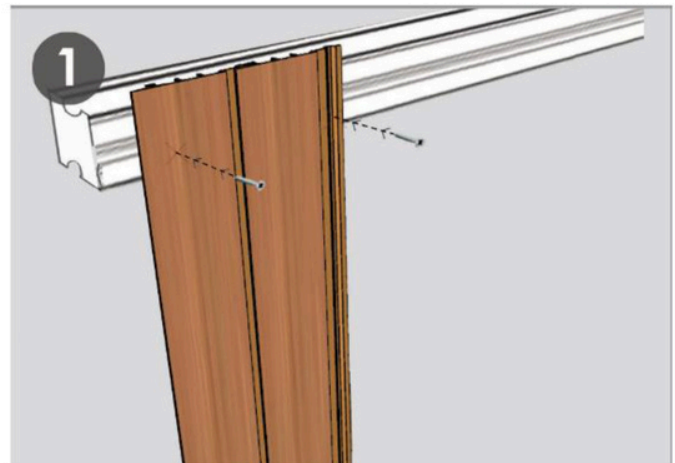
The distance from the screw connection to cladding panel edge must not be less than 15mm.



Fixing the First Cladding Panel

Fasten the screw at the side of the profile. The screw should be placed close to the rear batten to avoid potential deflection.

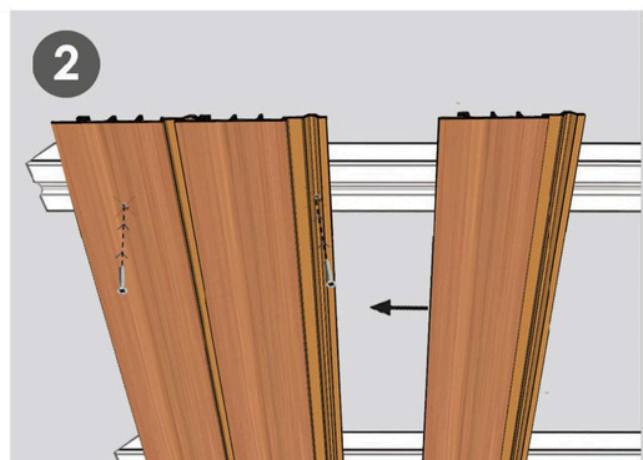
Then, fasten the screw in the groove of the profile.



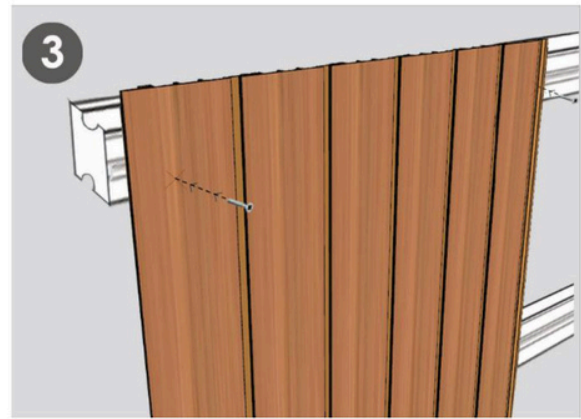
Fixing the Next Cladding Panel

Slot the second cladding panel on the first panel. Ensure that the second cladding is fitted securely in place on the batten.

Fasten the screw in the groove of the second cladding panel.



Insert further panels in the previous one and repeat this process until you reach the required width.



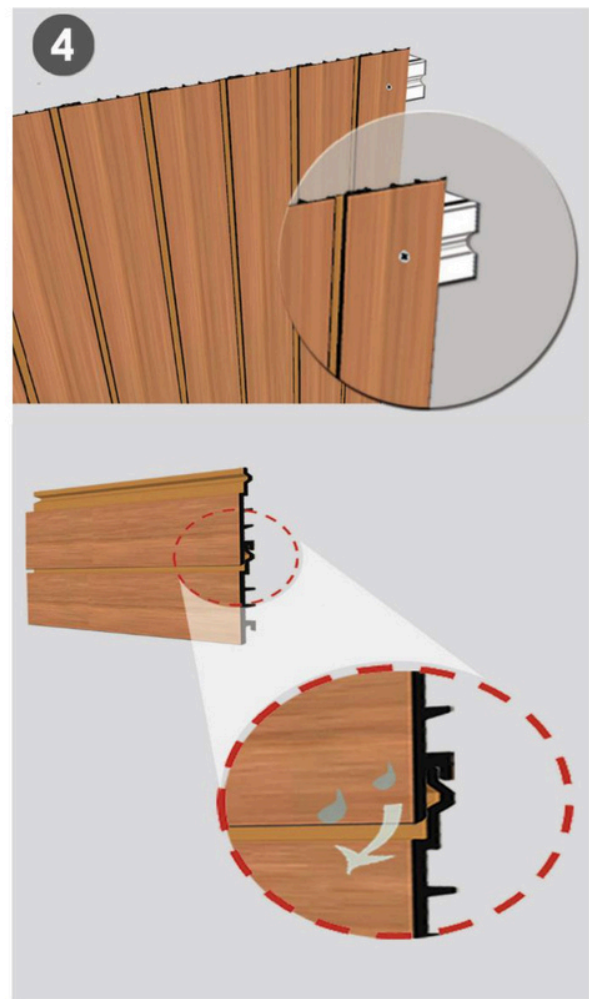
Fixing the Closing Cladding Panel

If necessary, cut the closing panel until you reach the required width and screw connect at the edge. The screw connection should be fixed close to the rear balk to avoid potential deflection.

Then, fasten the screw in the groove of the profile.

Note 1:
For horizontal cladding panel installation, start the first panel from the bottom upwards.

Note 2:
For horizontal cladding installation, mount the panels in such a way to ensure controlled water drainage.



Your Installation Is Now Complete

Remarks:

All specifications suggested in this guide are based on use under normal condition only. Kindly counter check with the supplier/manufacturer for use under special conditions.